

# Data Sheet

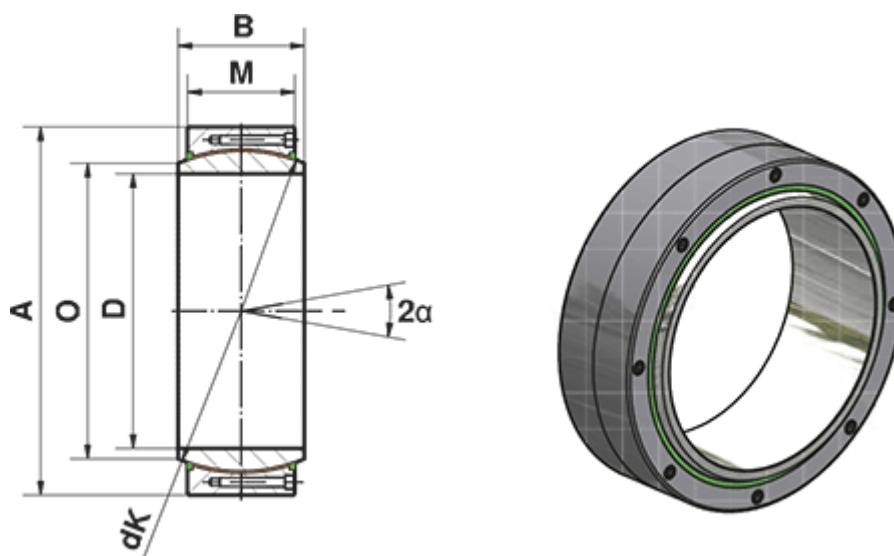


Article number: 03448320

Description: Fluro Heavy Duty Spherical Plain Bearing GE 320 CW-2RS  
Hole  $\varnothing$ 320

Note: 320

## Measures



A = 440

a (degrees) = 4

B = 160

D = 320

dK = 380

Dynamic load C (kN) = 12850

M = 135

O = 344.6

Static load C0 (kN) = 21420

Weight (g) = 76